

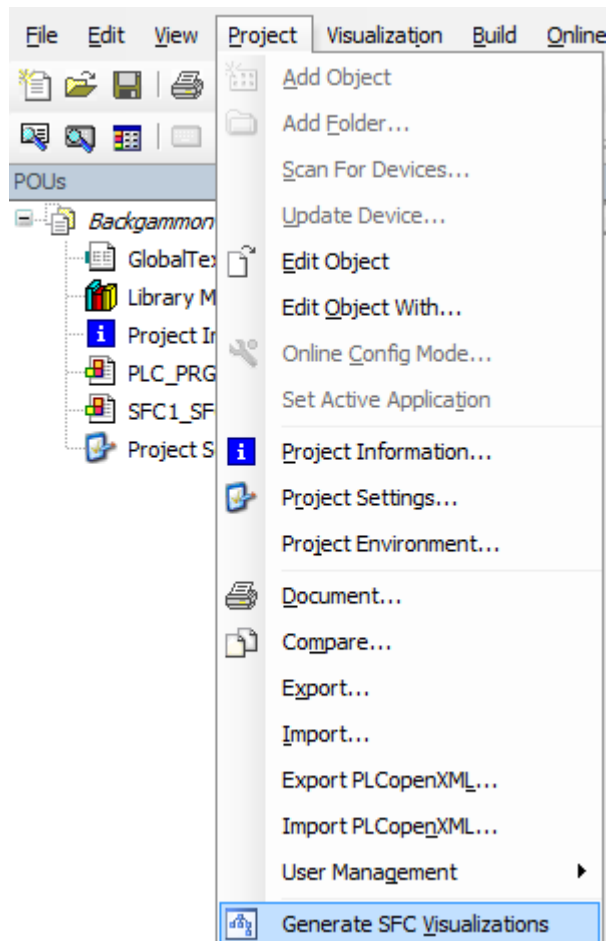
POU Visu Generator

CODESYS Plug In to generate visualizations of SFC/LD function blocks and SFC/LD programs.

Product description

The tool “POU Visu Generator” generates visualizations of SFC/LD function blocks and SFC/LD programs. These generated visualizations represent the online state of the corresponding program code. For example, in the visualizations generated from SFC POUs, the current program step is highlighted in online mode.

After the package is installed and CODESYS is restarted, the new menu item “Generate SFC/LD Visualizations” will appear in the project menu. The function “Generate SFC/LD Visualizations” will execute the SFC/LD Visu Generator.

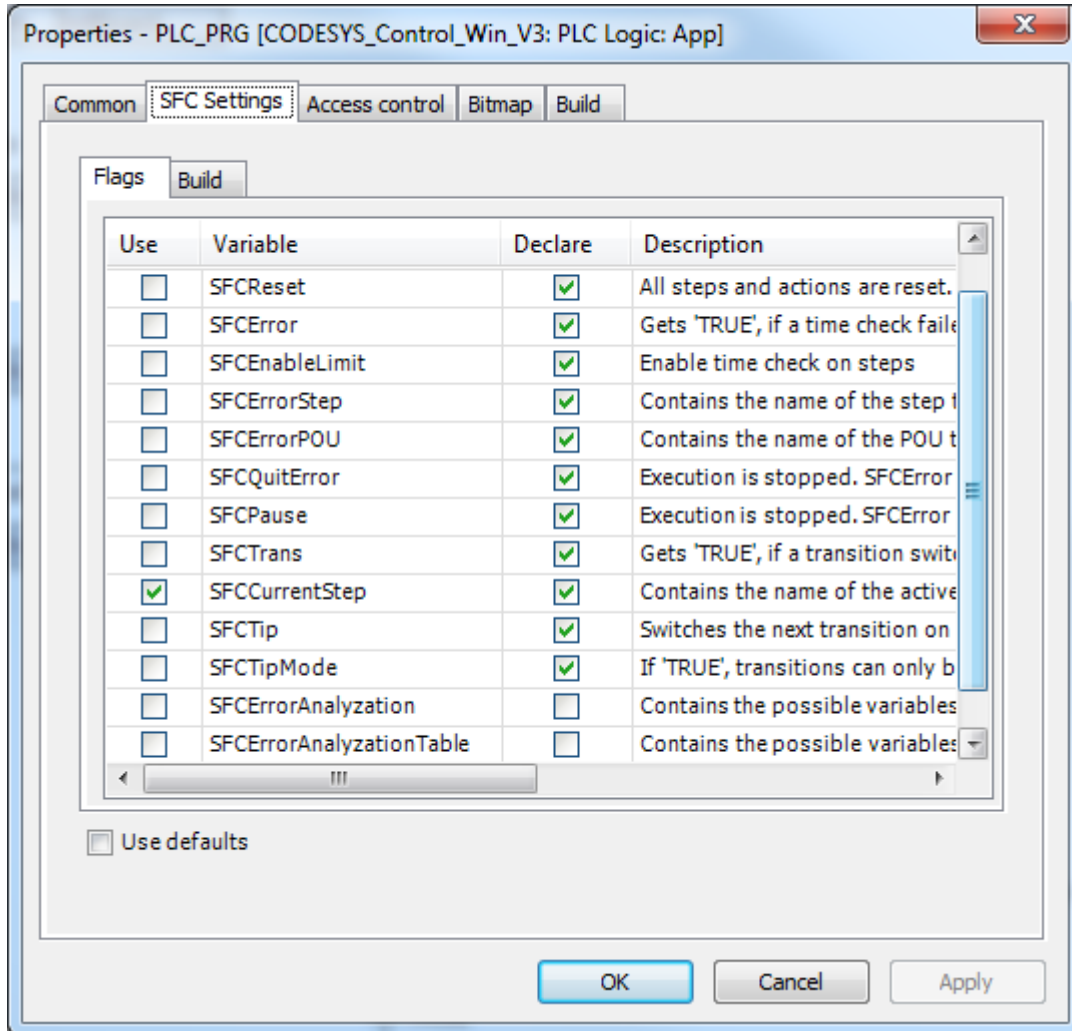


Menu 'POU Visu Generator'

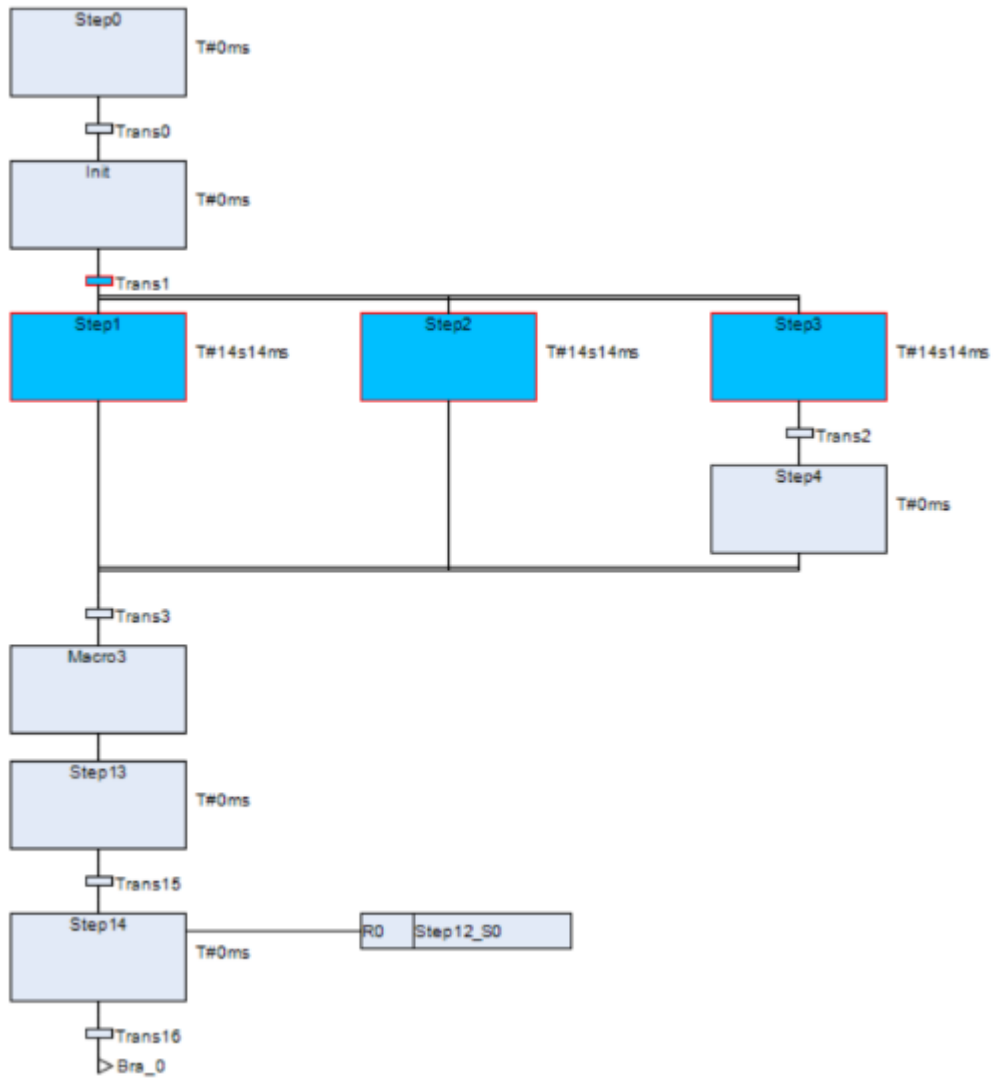
The generated visualizations are stored in the POU pool. The visualizations (xxx_SFC_FRAME, xxx_LD_VISU) can afterwards be integrated in other visualizations via the Frame element.

For function blocks, it is necessary to assign the reference to the POU instance to the corresponding SFC/LD element in the frame. Visualizations of SFC/LD programs reference the variables of the corresponding frame directly. For SFC macros own visualizations are generated, which can be selected by a mouse click on the macro.

Important: The flag “SFCCurrentStep” must be set in the properties of every SFC object. If the flag is not set, compile errors will occur.

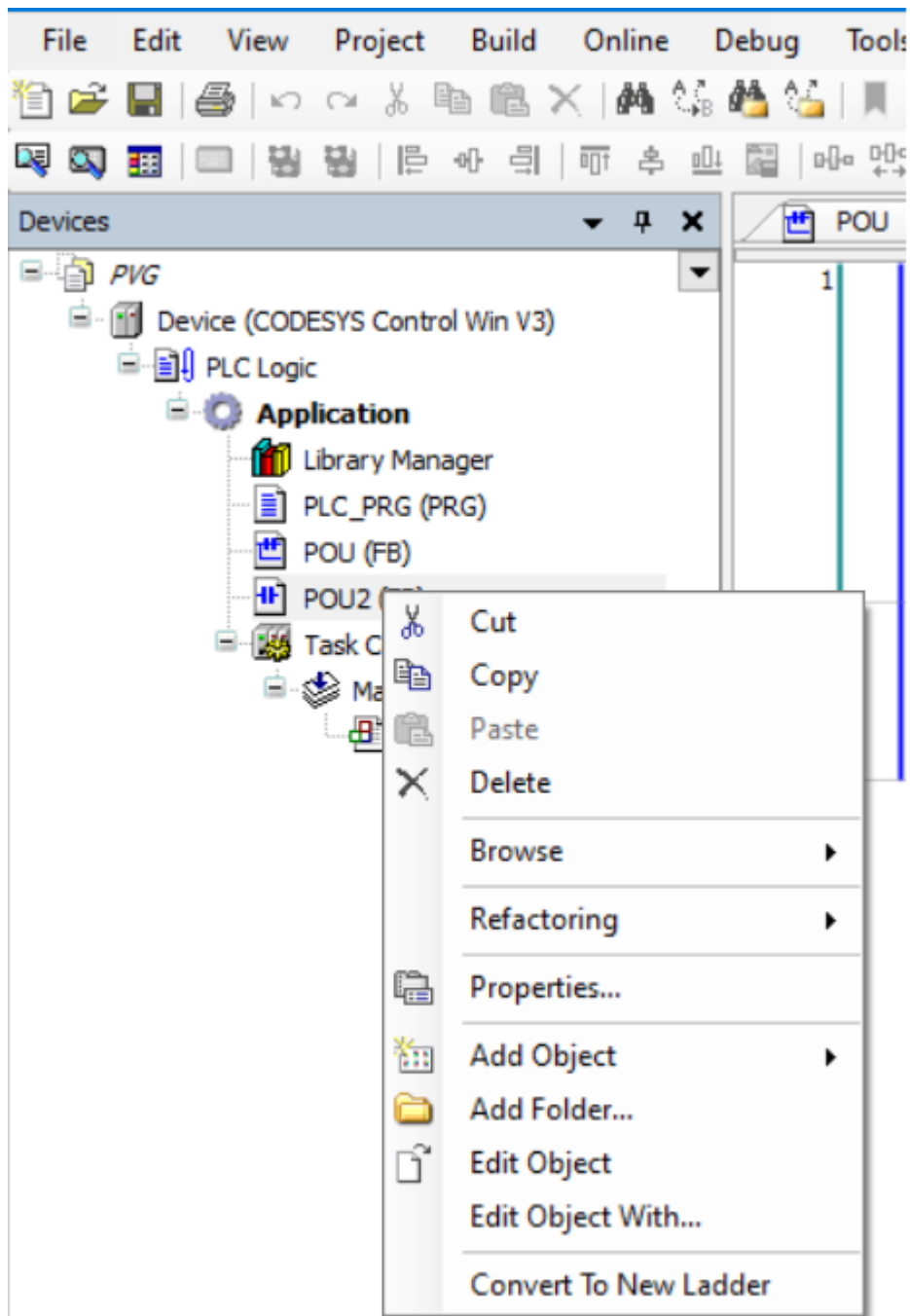


Property SFCCurrentStep



Generated SFC visualization

Important: Only ladder (LD2) POUs can be used to generate the visualization. Existing Ladder Logic Diagram (LD) POUs can be converted to the new Ladder (LD2) type using the “Convert to New Ladder” command.



General information

Supplier:

CODESYS GmbH
 Memminger Strasse 151
 87439 Kempten
 Germany

Support:

Technical support is not included with this product. To receive technical support, please purchase a CODESYS Support Ticket.

<https://support.codesys.com>

Item:

POU Visu Generator

Item number:

000067

Sales/Source of supply:

CODESYS Store
<https://store.codesys.com>

Included in delivery:

CODESYS Package with PlugIn

System requirements and restrictions

Programming System	CODESYS Development System V3.5.17.30 or higher Addon Ladder 1.0.0.0 or higher for Ladder (LD2) POUs necessary.
Supported Platforms/ Devices	All Note: Use the project "Device Reader" to find out the supported features of your device. "Device Reader" is available for free in the CODESYS Store.
Additional Requirements	-
Restrictions	Highlighting of active macros is not supported. Only visualizations of POUs of type SFC or the new ladder (LD2) can be generated.
Licensing	



No license is required.

Required Accessories

-

Note: Technical specifications are subject to change. Errors and omissions excepted. The content of the current online version of this document applies.

Creation date: 2024-06-25